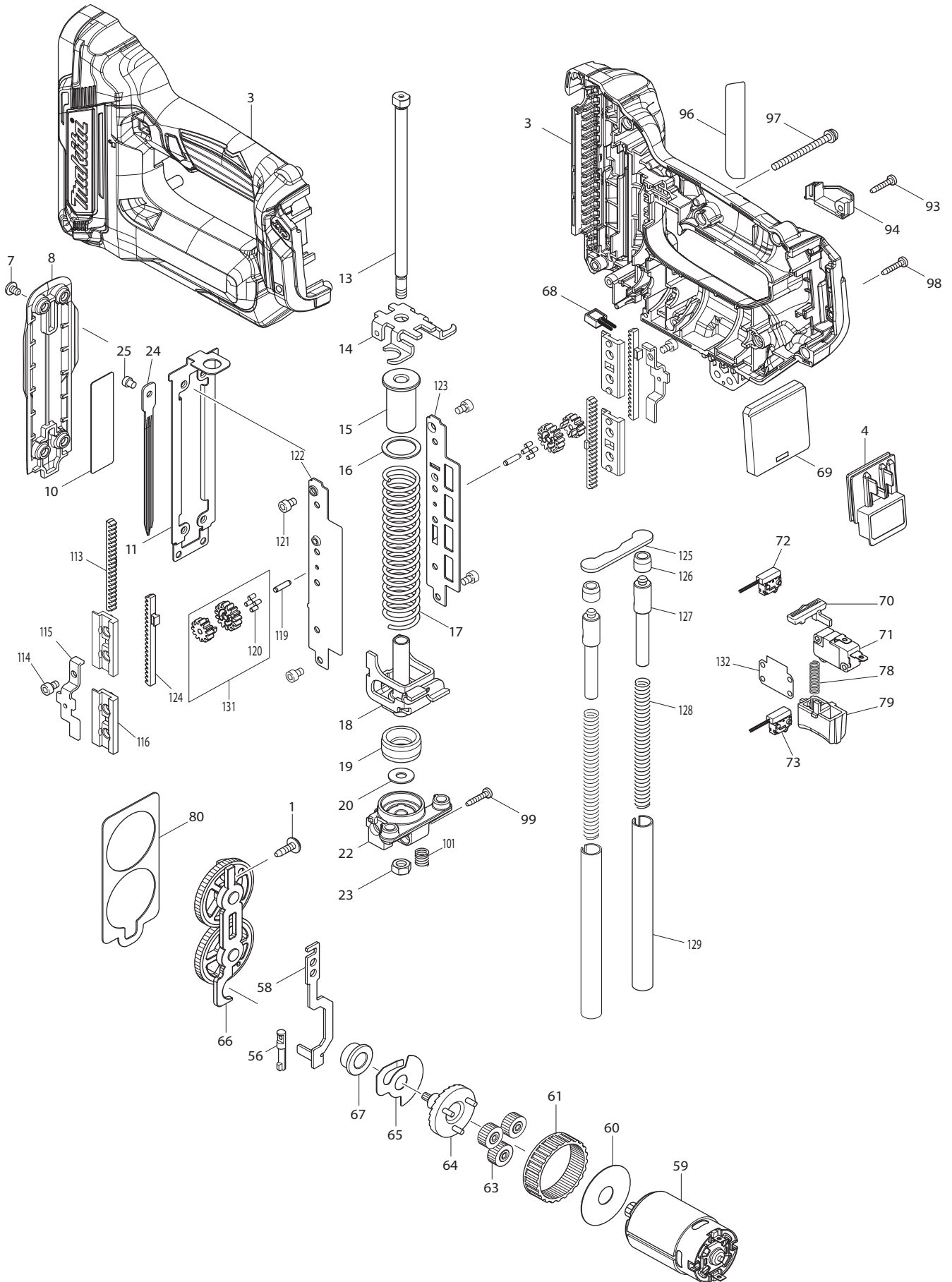
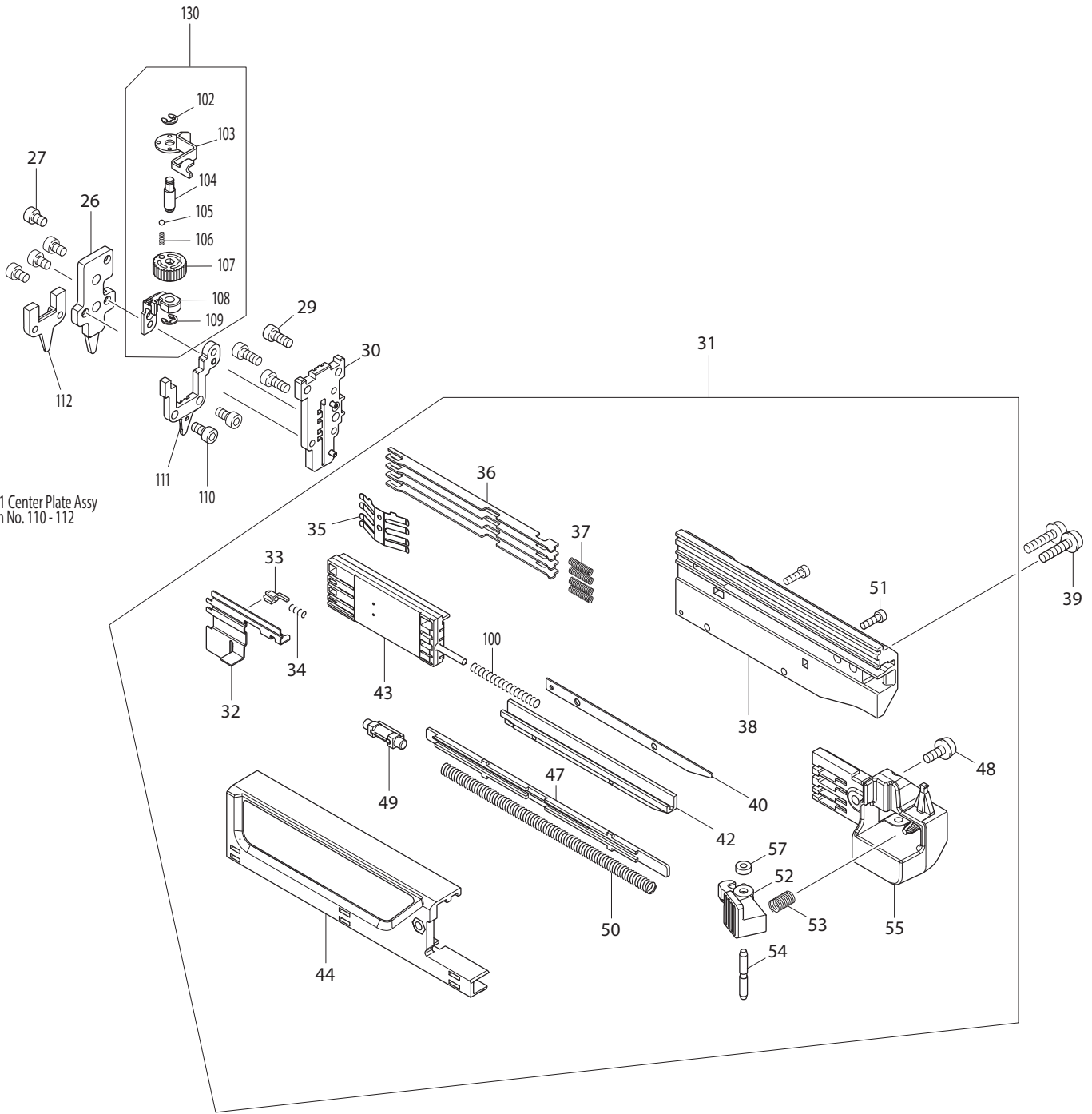




03 - 2017
PT354DZ
12V Max CXT Pin Nailer 23Ga.



*Item No. B01 Center Plate Assy
Includes Item No. 110 - 112



Item Nc	Type	Sub	Part No	Description	Qty	Unit
001			266901-4	TAPPING SCREW M4X14	1	PC.
003			183G24-4	HOUSING SET	1	SET
		INC.	263002-9	RUBBER PIN 4	2	PC.
		INC.	252126-6	HEX LOCKING NUT M4-7	2	PC.
		INC.	931102-0	HEX NUT M4	1	PC.
004			644813-5	TERMINAL	1	PC.
007			915101-0	BINDING HEAD SCREW M4X6	4	PC.
008	2		459308-3	* FRONT COVER	1	PC.
010	2		347528-0	* UPPER PLATE	1	PC.
011			347140-6	RAIL	1	PC.
013			326903-3	GUIDE BOLT	1	PC.
014	1		347143-0	* BOTTOM PLATE	1	PC.
	2		347671-5	* BOTTOM PLATE	1	PC.
015			457389-1	SPRING HOLDER	1	PC.
016			347148-0	SPRING BASE	1	PC.
017			232364-6	COMPRESSION SPRING 17	1	PC.
018			347141-4	HAMMER	1	PC.
019			424952-5	CUSHION	1	PC.
020			253804-1	FLAT WASHER 6	1	PC.
022	1		319537-9	HOLDER	1	PC.
	2		319981-0	HOLDER	1	PC.
023	2		252273-3	HEX NUT M6	1	PC.
024			345702-4	DRIVER	1	PC.
025	2		256882-0	FLAT FILLISTER HD PIN 4	1	PC.
026			144291-4	DRIVER GUIDE COVER COMPLETE	1	PC.
027			922102-1	HEX SOCKET HEAD BOLT M4X6	4	PC.
029	1		922112-8	* HEX SOCKET HEAD BOLT M4X10	3	PC.
	2		922127-5	* HEX SOCKET HEAD BOLT M4X16	3	PC.
030			144330-0	DRIVER GUIDE COMPLETE	1	PC.
031			135895-3	MAGAZINE ASSY	1	PC.
		INC.		Item No. 32-38,40,42-44,47-55,57, 100		
032			347138-3	PUSHER	1	PC.
033	2		310176-8	STOPPER	1	PC.
034			233018-8	COMPRESSION SPRING 3	1	PC.
035			232362-0	LEAF SPRING	1	PC.
036			346239-4	NAIL STOPPER	4	PC.
037			232367-0	COMPRESSION SPRING 3	4	PC.
038	2		458195-7	MAGAZINE	1	PC.
039			911133-5	PAN HEAD SCREW M4X18	2	PC.
040			347137-5	SPACER	1	PC.
042			144335-0	LOWER RAIL COMPLETE	1	PC.
043			457382-5	NAIL GUIDE HOLDER	1	PC.
044			144388-9	UPPER RAIL COMPLETE	1	PC.
		INC.	931102-0	HEX NUT M4	1	PC.
		INC.	812C62-2	CAUTION LABEL	1	PC.
047			457387-5	SPRING COVER	1	PC.
048			911113-1	PAN HEAD SCREW M4X10 W/WR	1	PC.
049			457383-3	SHOULDER PIN 5-6	1	PC.
050			232366-2	COMPRESSION SPRING 5	1	PC.
051			266177-3	HEX SOCKET HEAD BOLT M3X10	2	PC.
052			457388-3	LEVER	1	PC.
053			233117-6	COMPRESSION SPRING 6	1	PC.
054			256793-9	PIN 3	1	PC.
055			457381-7	SLIDE DOOR CAP	1	PC.
056			268158-3	PIN 5	1	PC.
057			262054-7	URETHANE RING 3	1	PC.
058			347139-1	LOCK ARM	1	PC.
059			629268-5	DC MOTOR	1	PC.
060			267053-4	FLAT WASHER 12	1	PC.
061			227166-3	INTERNAL GEAR 69	1	PC.
063			221961-3	SPUR GEAR 27	3	PC.
064			154973-0	SPUR GEAR 7 COMPLETE	1	PC.

Item Nc	Type	Sub	Part No	Description	Qty	Unit
065			345773-1	ANTI BACK PLATE	1	PC.
066	1		144290-6	SPUR GEAR 55 COMPLETE	1	PC.
	2		140U73-7	SPUR GEAR 55 COMPLETE	1	PC.
067			214060-8	PLANE BEARING 10	1	PC.
068			620507-6	LED CIRCUIT	1	PC.
069			632J92-7	CONTROLLER UNIT	1	PC.
		INC.	654069-2	RECEPTACLE	2	PC.
070			456799-9	TRIGGER LOCK	1	PC.
071	2		632M82-8	SWITCH UNIT	1	PC.
072			632G60-2	SWITCH UNIT	1	PC.
073			632K06-2	SWITCH UNIT	1	PC.
078			232370-1	COMPRESSION SPRING 5	1	PC.
079			457386-7	TRIGGER	1	PC.
080			347142-2	GEAR PLATE	1	PC.
093			266130-9	TAPPING SCREW BIND P-TYPE M3X16	1	PC.
094			457385-9	HOUSING R COVER	1	PC.
096			853C64-9	NAME PLATE F/PT354D	1	PC.
097			911173-3	PAN HEAD SCREW M4X45	1	PC.
098			266130-9	TAPPING SCREW BIND P-TYPE M3X16	8	PC.
100			233459-8	COMPRESSION SPRING 3	1	PC.
101			232365-4	COMPRESSION SPRING 7	1	PC.
102			961017-7	STOP RING E-3	1	PC.
103			347136-7	CONTACT ARM	1	PC.
104			326905-9	ADJUSTER SHAFT	1	PC.
105			216031-1	STEEL BALL 2.3	1	PC.
106			234254-9	COMPRESSION SPRING 2	1	PC.
107			457378-6	ADJUSTER	1	PC.
108			310778-0	ARM	1	PC.
109			961017-7	STOP RING E-3	1	PC.
110			922107-1	HEX SOCKET HEAD BOLT M4X8	2	PC.
111			144329-5	CENTER PLATE COMPLETE	1	PC.
112			310777-2	CONTACT TOP COVER	1	PC.
113	2		310924-5	COUNTER WEIGHT A	2	PC.
	3		313421-0	COUNTER WEIGHT A	2	PC.
114			251566-5	HSH BOLT M4X6 W/WR	2	PC.
115			347146-4	PINION GUIDE	2	PC.
116	1		457390-6	COUNTER WEIGHT HOLDER, BLACK	4	PC.
	2		413330-4	COUNTER WEIGHT HOLDER, BLUE	4	PC.
119			326902-5	PINION SHAFT	2	PC.
120			424953-3	DUMPER RUBBER (No longer used with Type2)	8	PC.
121	1		922102-1	HEX SOCKET HEAD BOLT M4X6	4	PC.
	2		266199-3	HEX SOCKET HEAD BOLT M4X6	4	PC.
122			347145-6	GUIDE RAIL R	1	PC.
123			347144-8	GUIDE RAIL L	1	PC.
124			310781-1	COUNTER WEIGHT B	2	PC.
125	1		347147-2	* COUNTER STOPPER	1	PC.
	2		347672-3	* COUNTER STOPPER	1	PC.
126			424954-1	COUNTER CUSHION	2	PC.
127			326904-1	WEIGHT	2	PC.
128			232363-8	COMPRESSION SPRING 7	2	PC.
129	1		326901-7	* GUIDE PIPE	2	PC.
	2		327550-3	* GUIDE PIPE	2	PC.
130			135857-1	CONTACT ARM ASSY	1	PC.
		INC.		Item No. 102-109		
131	1		135855-5	SPUR GEAR ASSEMBLY	2	PC.
		INC.		Item No. 120		
	3		136104-3	SPUR GEAR ASSEMBLY	2	PC.
132			457809-5	SWITCH GUARD	1	PC.
134			922112-8	* HEX SOCKET HEAD BOLT M4X10 (Added)	1	PC.
200			251314-2	+TH SCREW M4X12 F/HOOK	1	PC.

Item No	Type	Sub	Part No	Description	Qty	Unit
<u>ACCESSORIES</u>						
- See Catalogue or visit www.makita.ca for more accessories -						
A03			346909-5	HOOK F/12V LI-ION SLIDE BATTERY	1	PC.
A04	2		422372-7	NOSE ADAPTER, RED	2	PC.
A05			783201-2	HEX WRENCH 3	1	PC.
A06			DC10SB	RAPID CHARGER DC10SB	1	PC.
A07			-----	12V MAX LI-ION BATTERY, SLIDE TYPE		
A08			-----	LI-ION BATTERY ACCESSORIES		
A10			422240-4	NOSE ADAPTER	1	PC.
B01			127762-6	CENTER PLATE ASSEMBLY	1	PC.
B01		INC.		Item No. 110 - 112		

SERVICE CHANGES

1. Changes on Front cover and Upper plate

(TI#C9990)

Item No.	Description	Type 1	Type 2
8	FRONT COVER	457384-1	459308-3
10	UPPER PLATE	345704-0	347528-0

Above parts are completely interchangeable as a set.

2. Changes on Counter Stopper, Bottom Plate and Guide Pipe

(TI#D1195)

Item No.	Description	Type 1	Type 2
125	COUNTER STOPPER	347147-2	347672-3
014	BOTTOM PLATE	347143-0	347671-5
129	GUIDE PIPE	326901-7	327550-3

Above parts are completely interchangeable as a set.

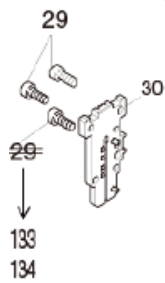
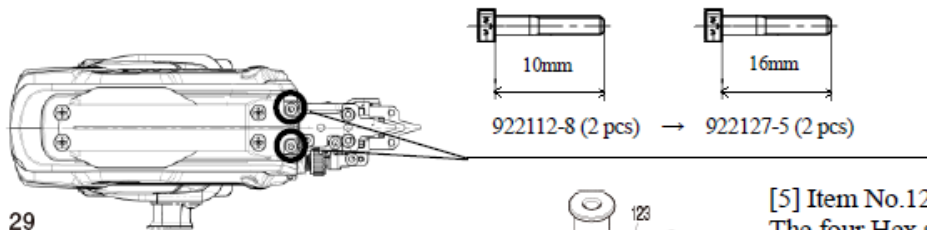
3. Changes on Hex socket head bolts

(TI#DG869)

Item No.	Description	Type 1	Type 2
29	HEX. SOCKET HEAD BOLT M4X16	922112-8	922127-5
134	HEX. SOCKET HEAD BOLT M4X10	-----	922112-8

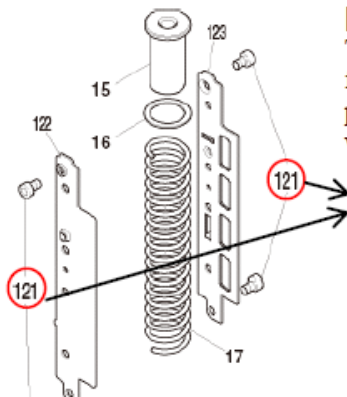
Above parts are completely interchangeable as a set.

[3] Item No.029: The length of two out of three Hex socket head bolts which are tightened from outside of Rail will be changed from 10mm to 16mm.



[4] Item No.029:
The item No. of the one out of three Hex socket head bolt which does not tighten Rail will be changed.

Item No.029→133 (DPT353, XTP02)
Item No.029→134 (PT354D, TP03)



[5] Item No.121:

The four Hex socket head bolts M4x6 which fasten the left and right Guide rails to Bottom plate will be changed from without Adhesive to with Adhesive.

